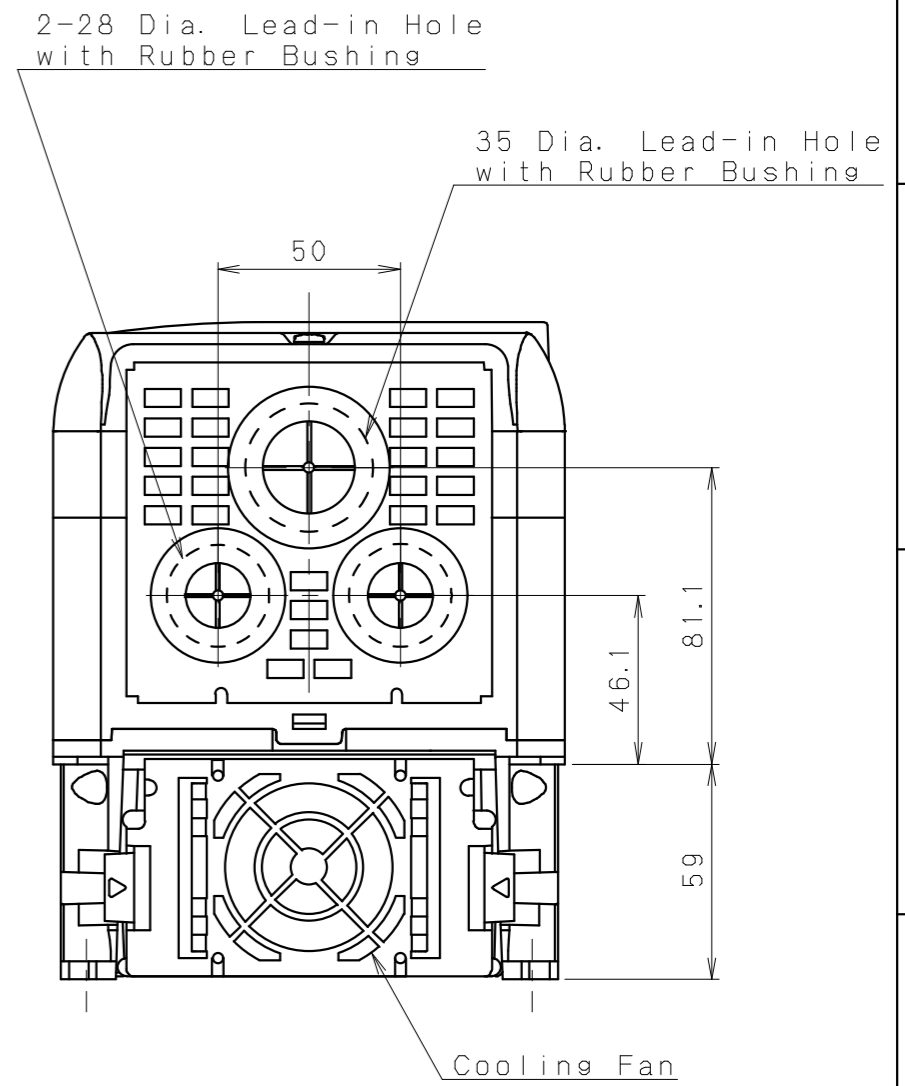
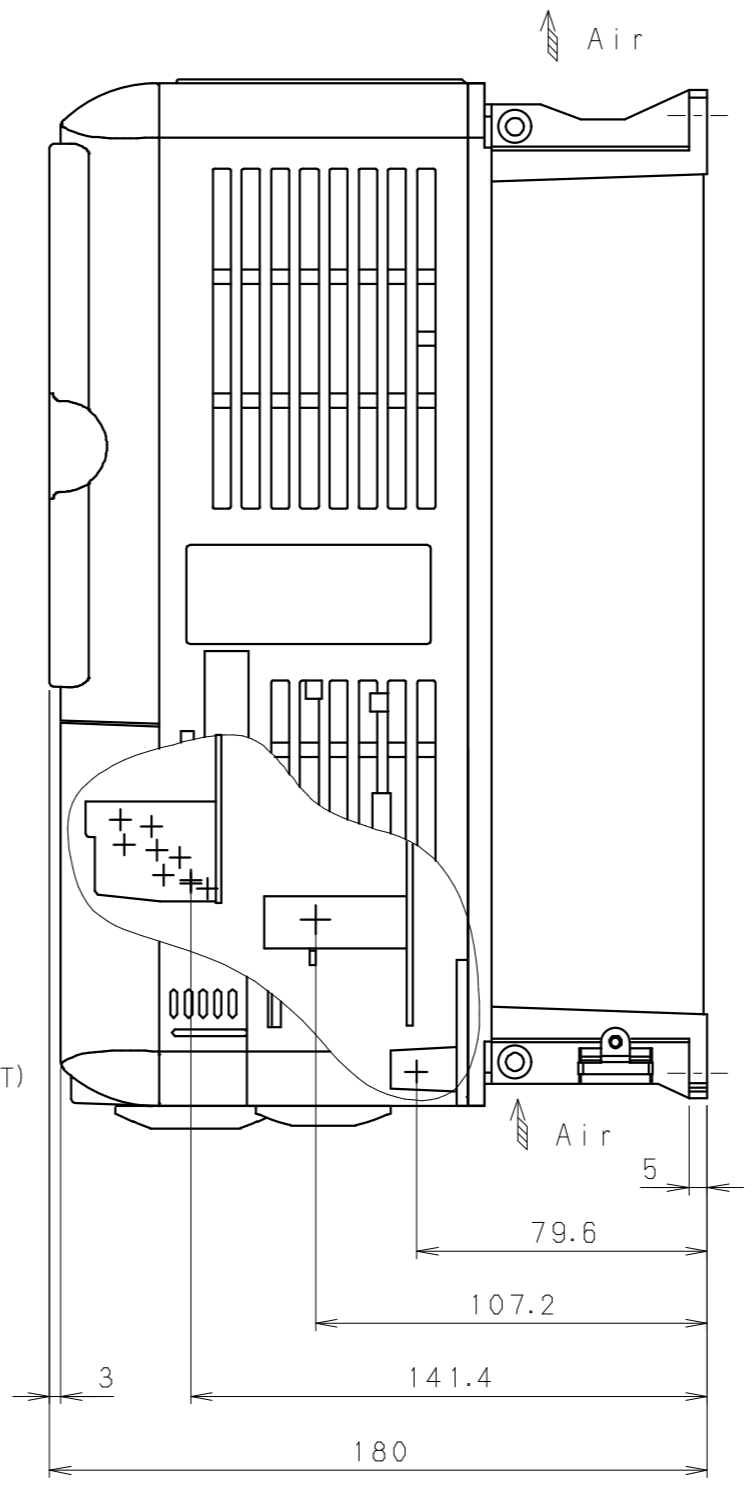
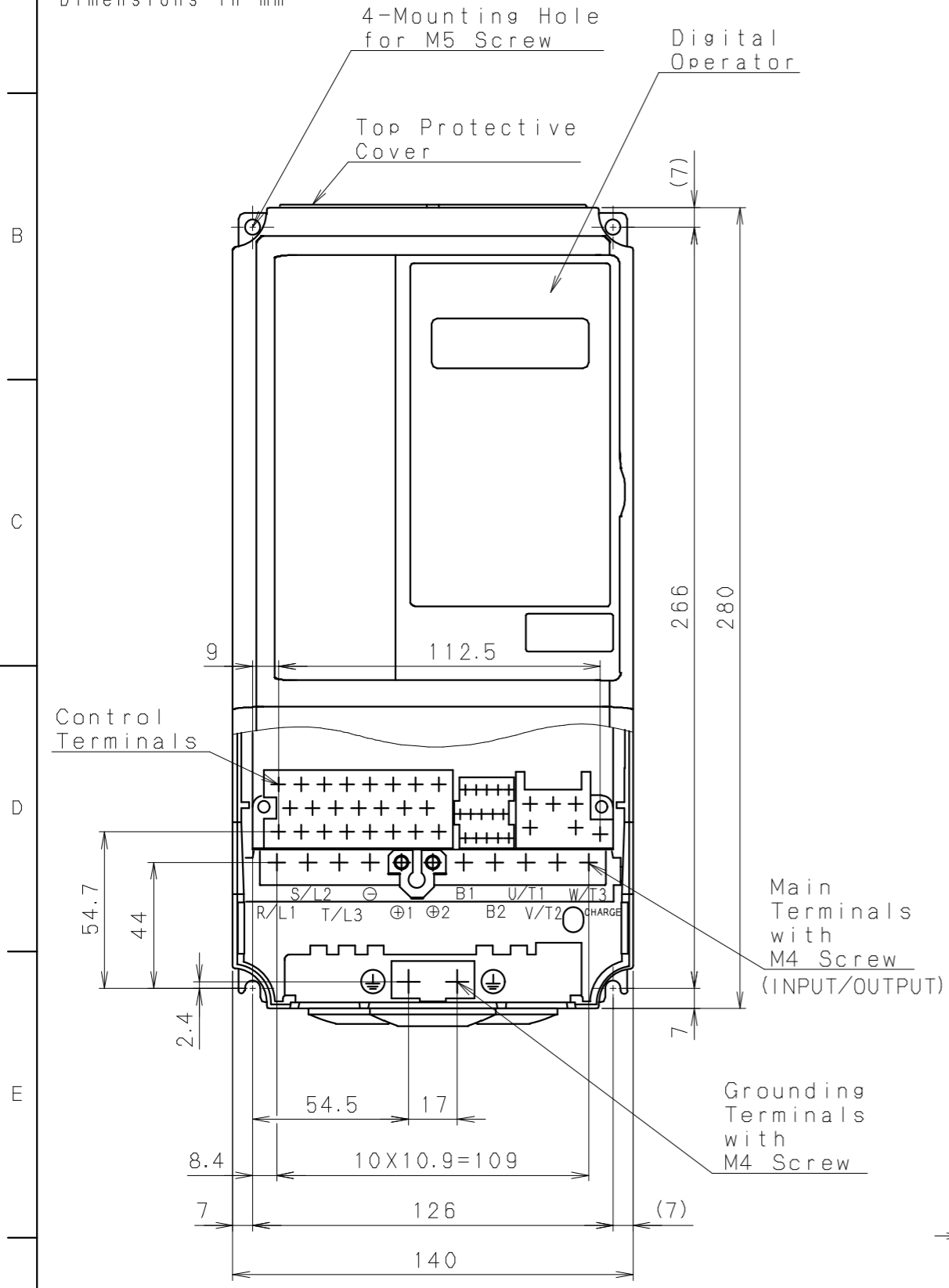


DWG. NO. EZZ901012

Model No.	Terminal Symbol			Cooling Fan	Mass (kg)
	INPUT	OUTPUT (MOTOR)			
CIMR-G7□22P2	R/L1 S/L2 T/L3	U/T1 V/T2 W/T3		1	4.0
CIMR-G7□23P7					
CIMR-G7□41P5					
CIMR-G7□42P2					
CIMR-G7□43P7					4.5

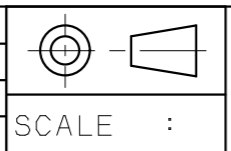
□: A, B

Third Angle Projection
Dimensions in mm



View A

REVISIONS	DATE	BY
1	Aug. 02. 2005	A. Mukai



DRAW.	Mar. 29. 2002	M. Aruji
CHECK.		
APPR.	Mar. 29. 2002	H. Imamura

TITLE Varispeed G7
200V CLASS 3-PHASE 2.2/3.7kW
400V CLASS 3-PHASE 1.5-3.7kW
ENCLOSED TYPE DIMENSION DIAGRAM

DWG. NO. EZZ901012