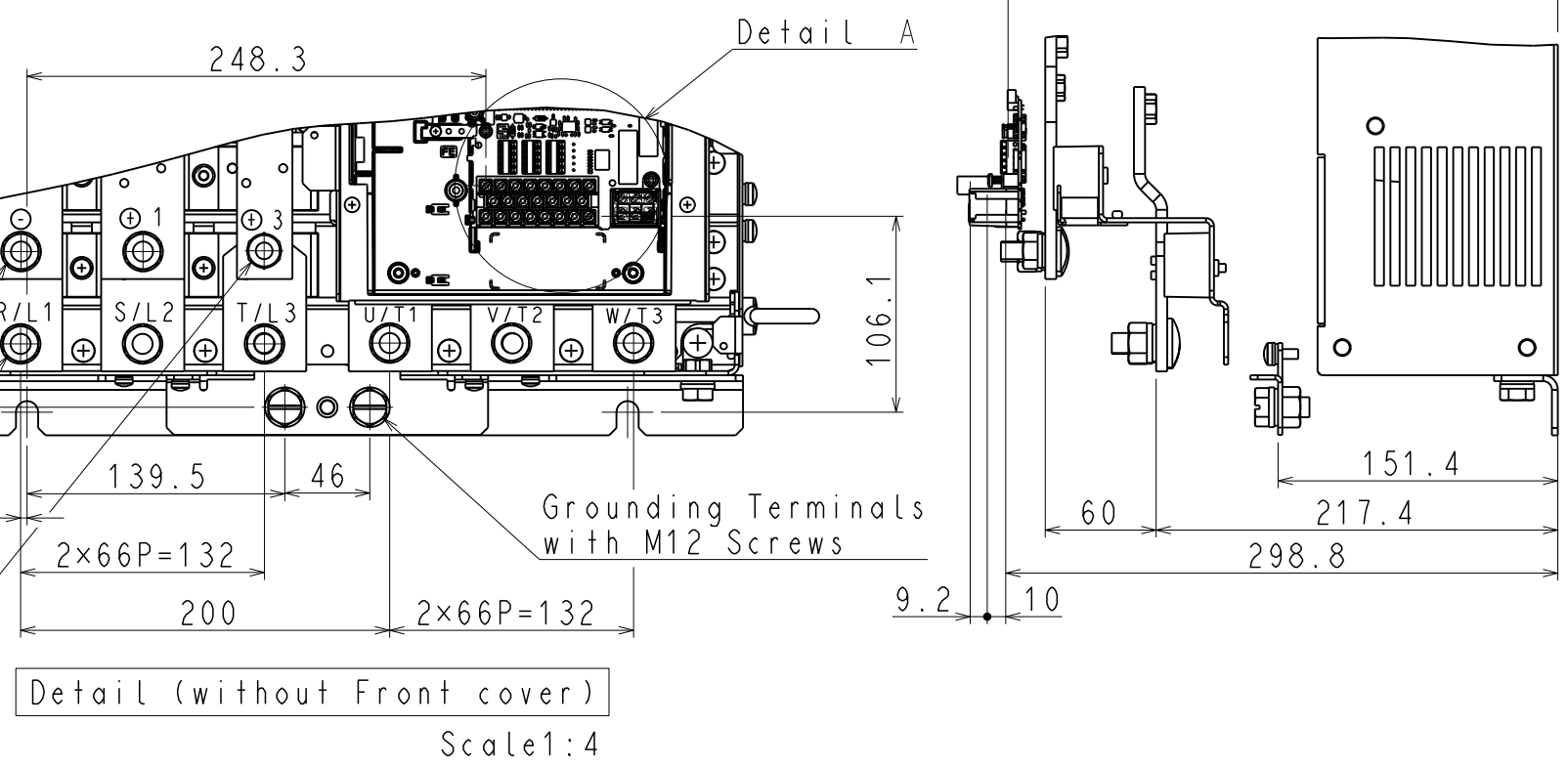
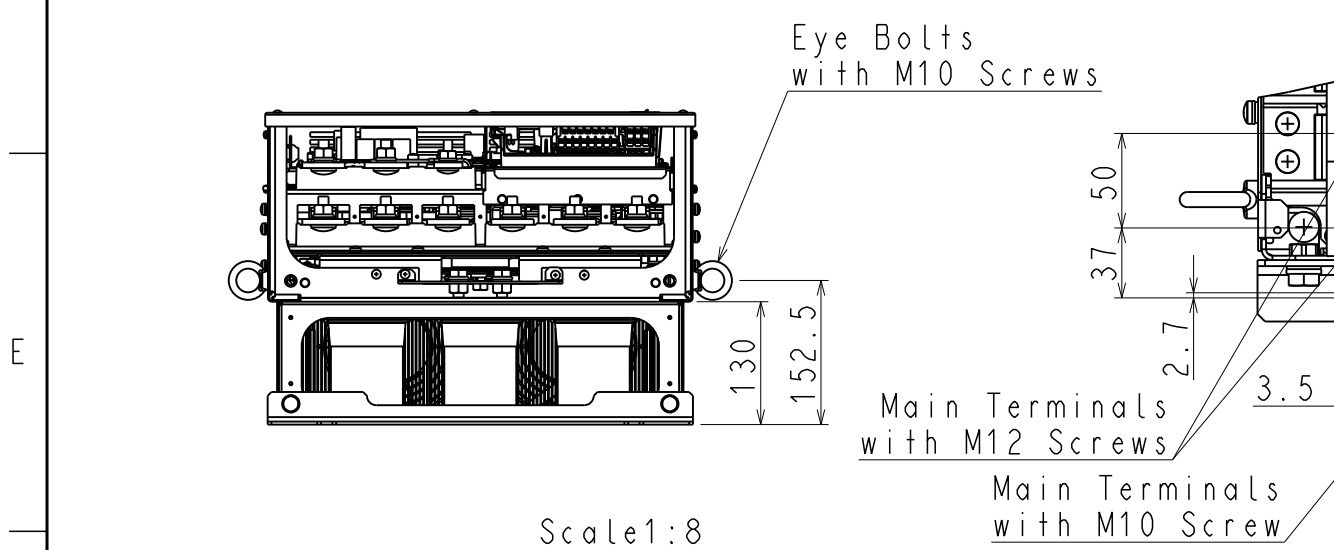
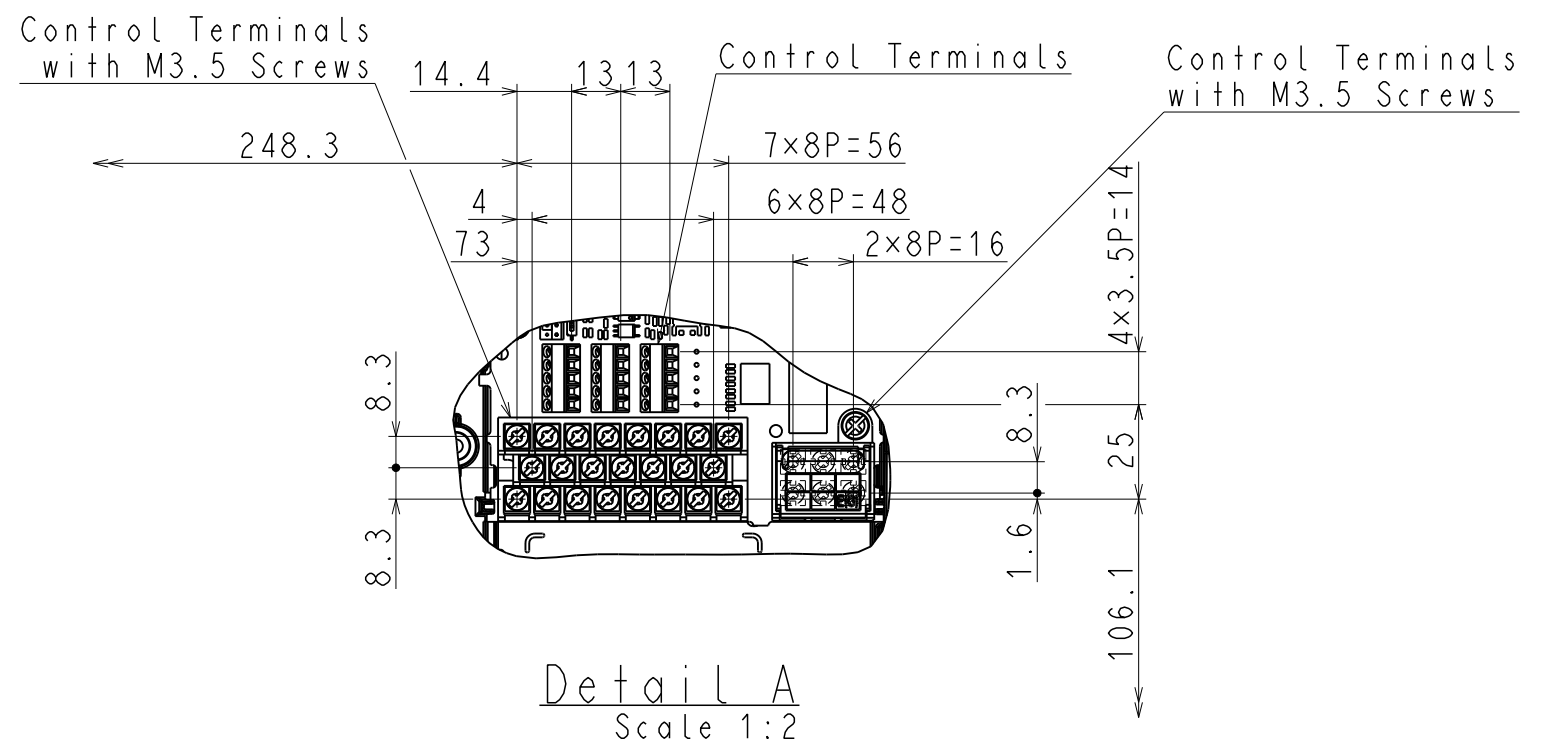
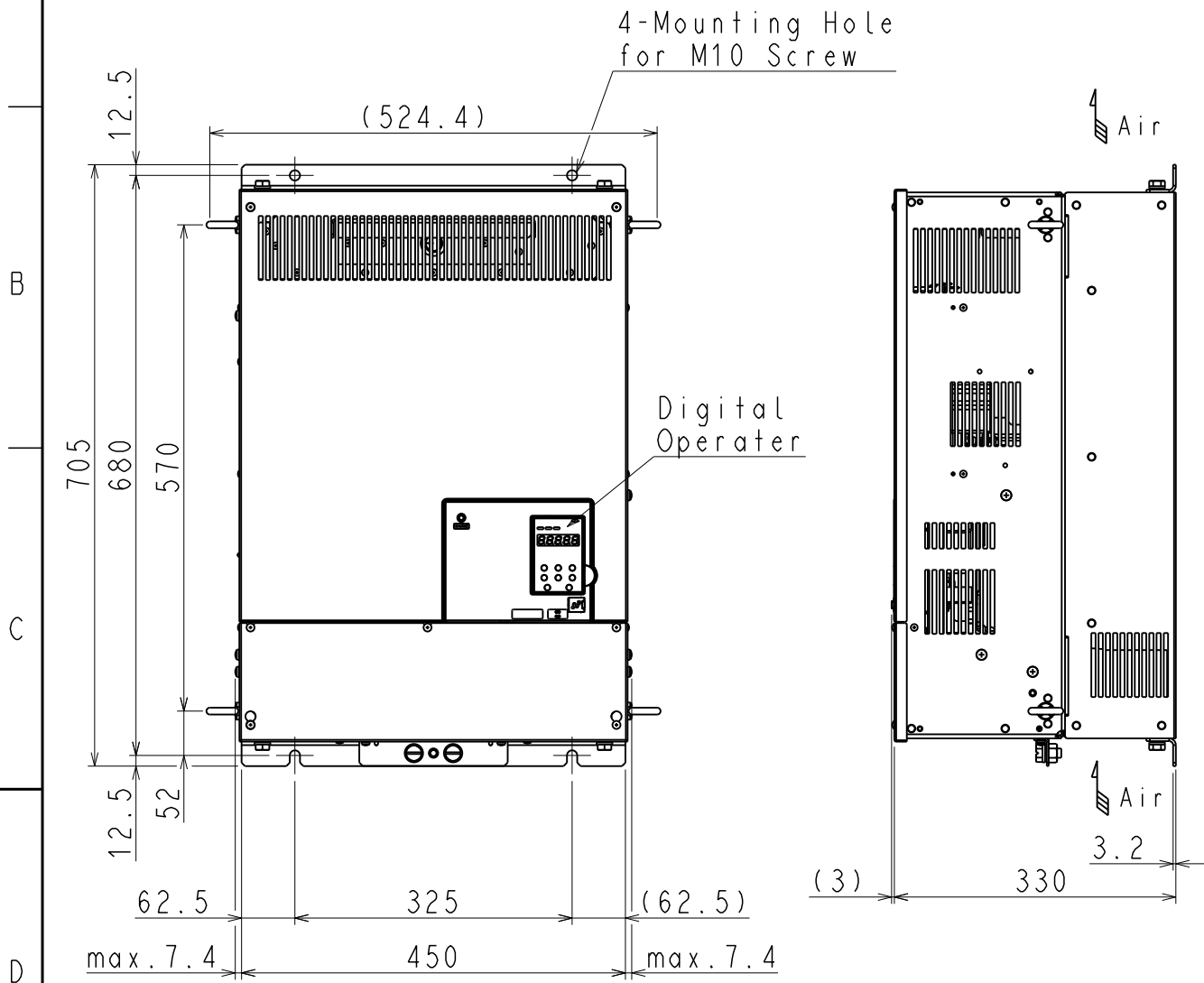


DWG.NO. EZZ901847-1/1

Model No.	Max Appli. Motor (kW)		Terminal Symbol			Cooling Fan	Mass (kg)			
	Normal Duty	Heavy Duty	INPUT							
CIMR-A#2□0250A	75	55	R/L1	S/L2	T/L3	U/T1	V/T2	W/T3	2	76
CIMR-A#2□0312A	90	75	R/L1	S/L2	T/L3	U/T1	V/T2	W/T3	2	80

#: A to Z
□: A to Z

Third Angle Projection
Dimensions in mm



REVISIONS	SCALE - : -	YASKAWA	DRAW.	Oct.02.2008	Y.Harada	TITLE	A1000 OPEN CHASSIS TYPE	DWG.NO.	EZZ901847	1	REV.
			CHECK	Oct.02.2008	Y.Utunomiya						
			APPR.	Oct.02.2008	H.Okayama						
DIMENSION DIAGRAM											