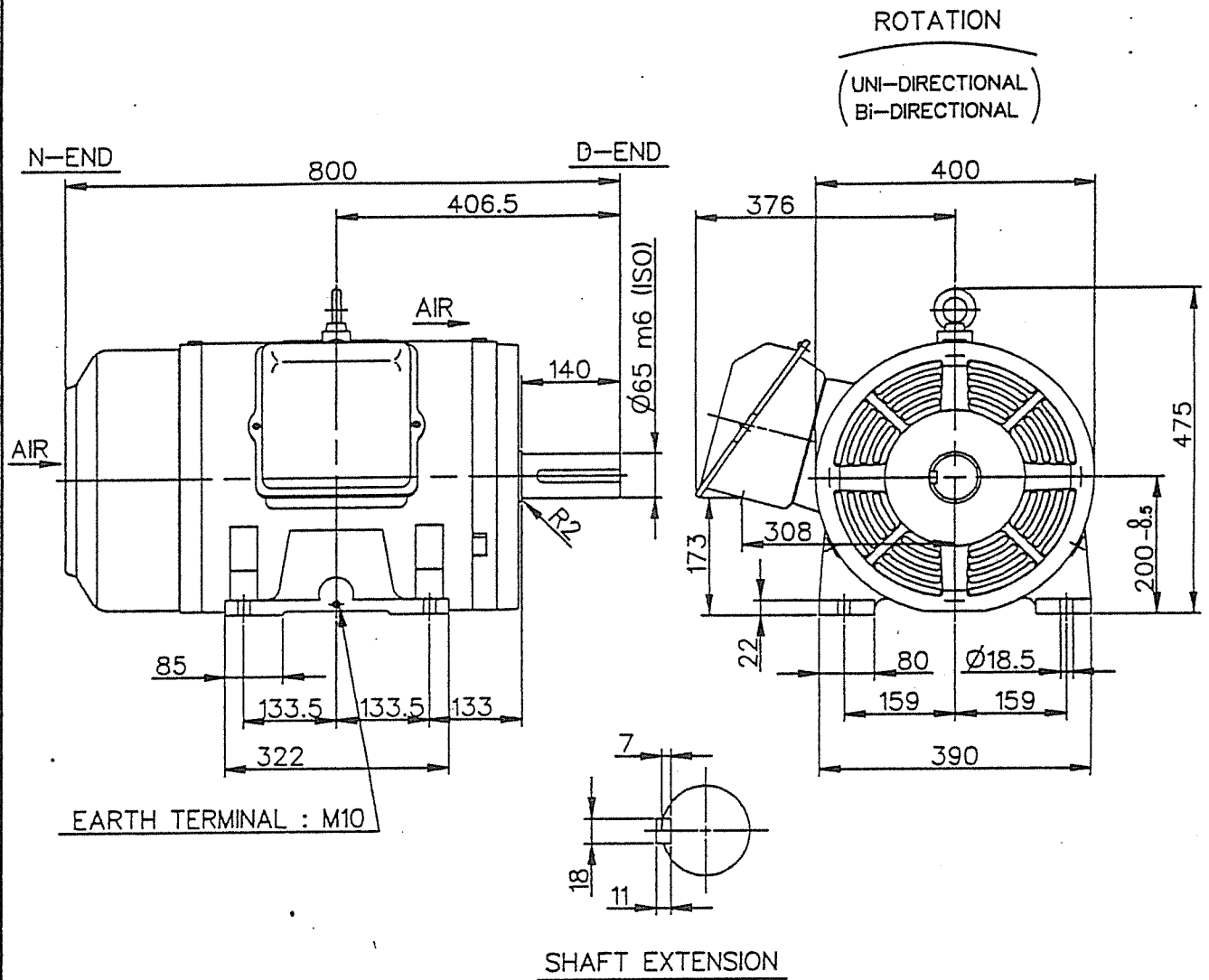


INDUCTION MOTOR
INDOOR USE
DIRECT CONNECTION

FINAL
APPROVAL
PRELIMINARY



DIMENSIONS IN mm

-11T
SSSFCA406

MRA9205A	200M	4	3	55kW	200/200/220 400/400/440	50/60/60	1460/1755/1760	190/188/170 95/94/85
TYPE	FRAME	PO-LES	PH	OUTPUT	VOLT	Hz	RPM	AMP
CONT.	JEC-37-1979	F	JP22 JCO	260kg	D-END	6315 ZZ		
RATING	RULE	INSUL	PROTECTION	MASS	N-END	6312 ZZ		
					BEARING		GREASE	

CUSTOMER : _____ ITEM NO. _____

APPLICATION : _____ QTY _____

W. NO. _____

DRAWN	DATE	NAME	APPROVED		Fuji Electric Co., Ltd.
CHECKED					
REVISIONS				FORM NO. SU717203	DWG. NO.