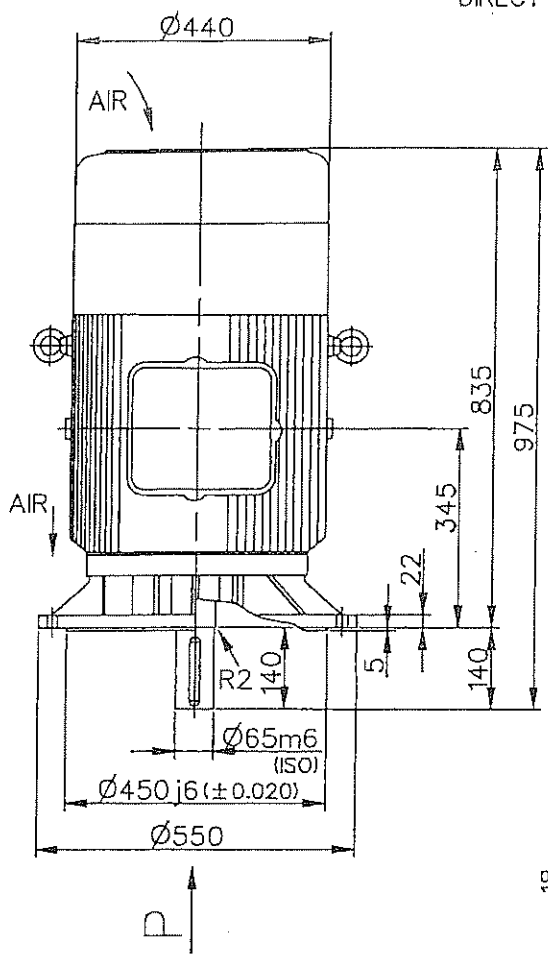
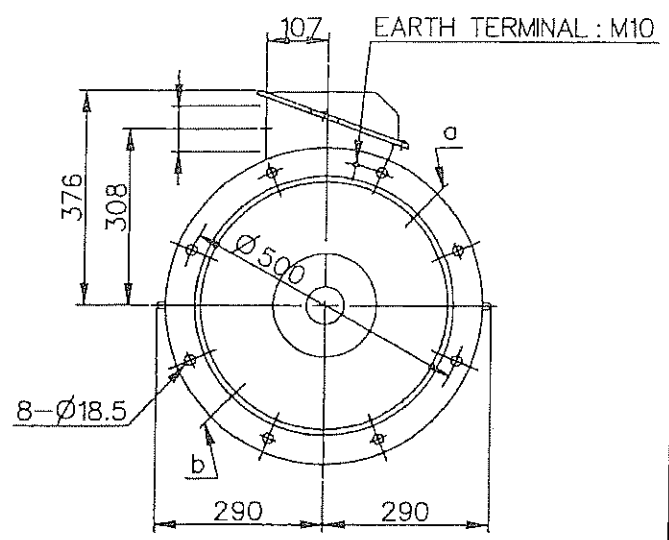


INDUCTION MOTOR
INDOOR USE
DIRECT CONNECTION

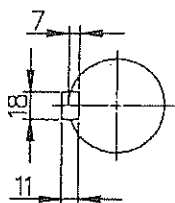
FINAL
APPROVAL
PRELIMINARY



ROTATION
(UNI-DIRECTIONAL)
(BI-DIRECTIONAL)



VIEW FROM P



SHAFT EXTENSION

REMARKS

- a : GREASE INLET
- b : GREASE OUTLET

DIMENSIONS IN mm

SSSFDC406

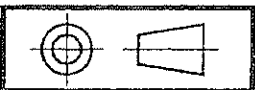
MLA9221C	225	4	3	55 kw	380 / 400 400 / 440 415 / 460	50/60	1460 / 1755 1463 / 1760 1465 / 1765	100 / 95 95 / 86 92 / 82
TYPE	FRAME	PO-LES	PH	OUTPUT	VOLT	Hz	RPM	AMP
CONT.	JEC-2137-2000	F	IP44			D-END	6315	2ILF70°
RATING	RULE	INSUL	PROTECTION	MASS		N-END	6212	LRL3
						BEARING		GREASE

CUSTOMER : _____ ITEM NO. _____

_____ QTY _____

APPLICATION : _____ W. NO. _____

DATE	NAME	APPROVED
DRAWN		
CHECKED		



Fuji Electric Co., Ltd.

FORM NO.
SU708069C

REVISIONS

DWG. NO.	
----------	--