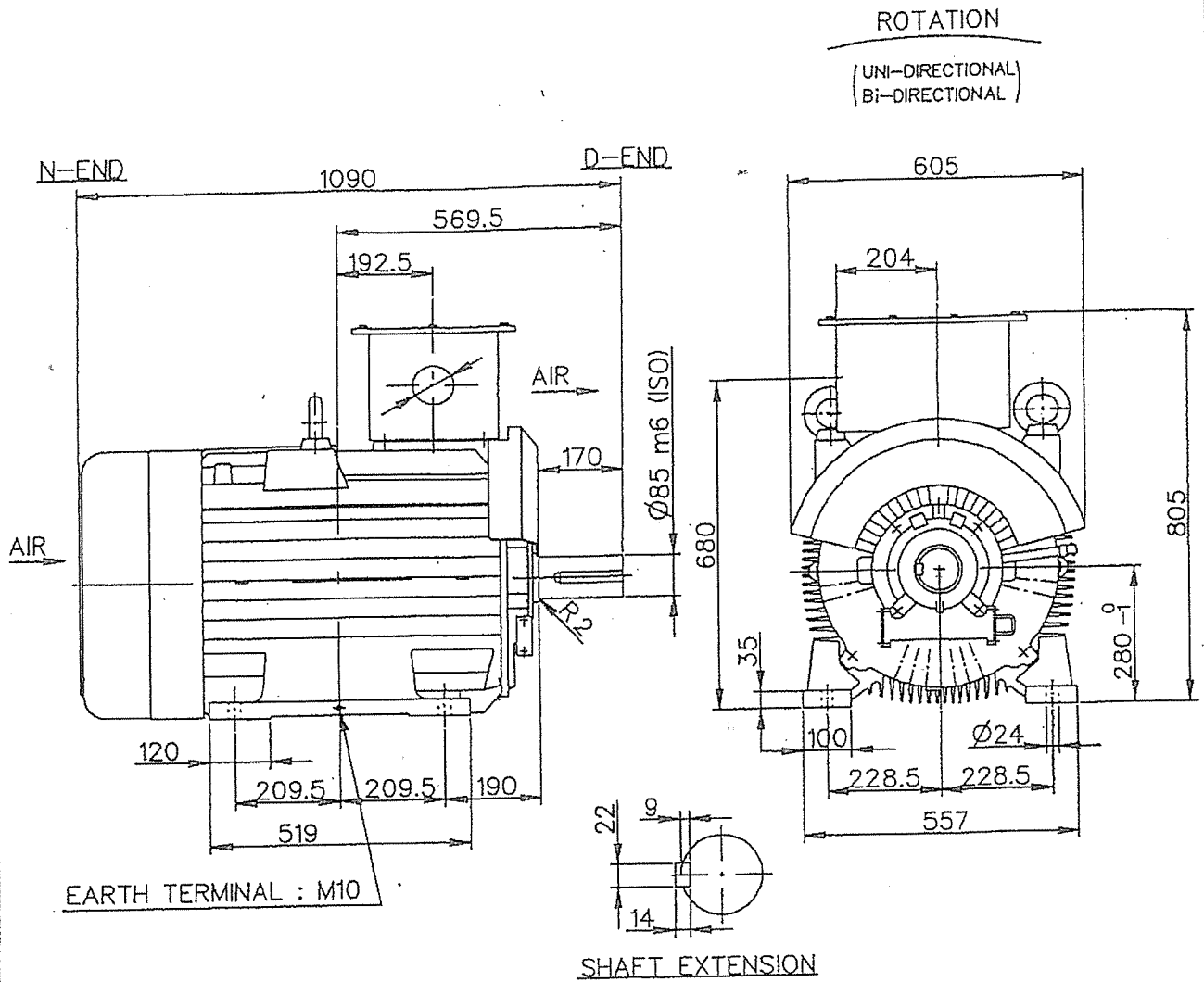


INDUCTION MOTOR
INDOOR USE

FINAL
APPROVAL
PRELIMINARY



DIMENSIONS IN mm

SSSFDA405

MLA9282A	280M	6	3	110kW	200/200/220 400/400/440	50/60/60	985/1180/1185	400/388/360 200/194/180
TYPE	FRAME	PO-LES	PH	OUTPUT	VOLT	Hz	RPM	AMP
CONT.	JEC-37	F	JP44	730kg	D-END	6320	21L7Y7°	
RATING	RULE	INSUL	PROTECTION	MASS	N-END	6317	LRL3	
							BEARING	GREASE

CUSTOMER :

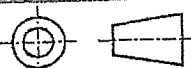
ITEM NO.

QTY

APPLICATION :

W. NO.

	DATE	NAME	APPROVED
DRAWN			
CHECKED			


 FORM NO. _____
 DWG. NO. _____

Fuji Electric Co., Ltd

REVISIONS

92-07T