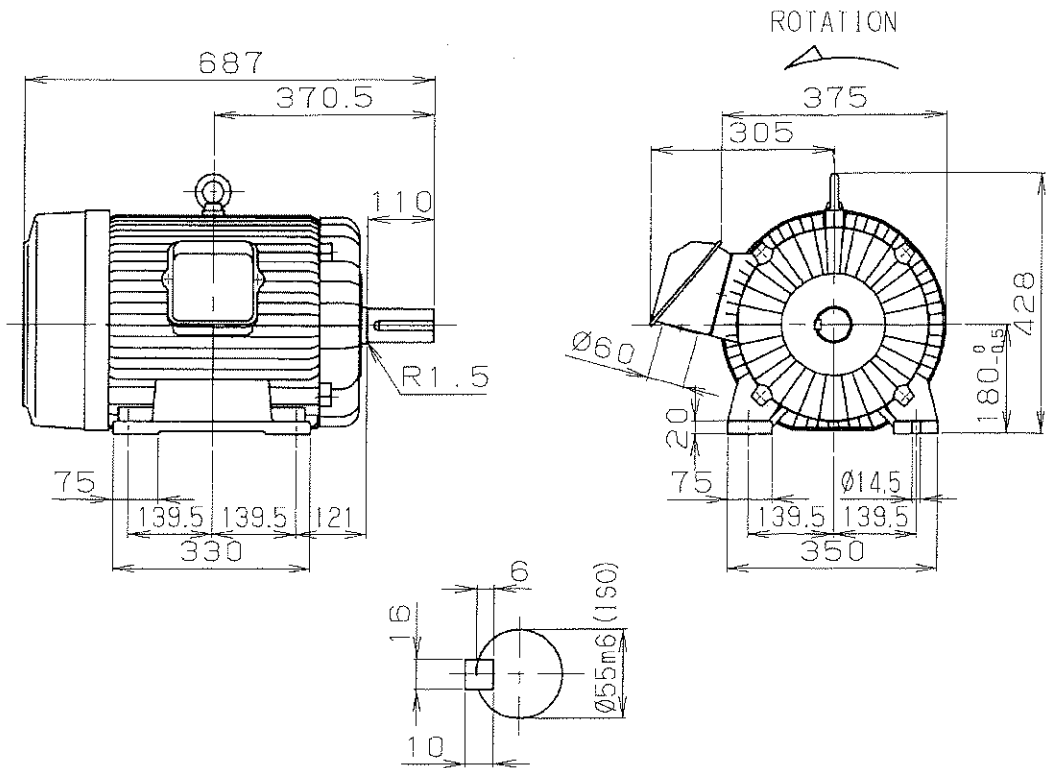
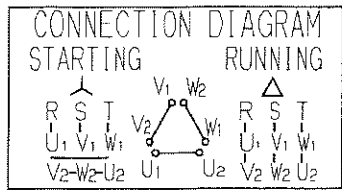


INDUCTION MOTOR (INDOOR USE)



SHAFT EXTENSION



DIMENSIONS IN mm

MLA8187A	180L	4	3	30kW	200/200 220	50/60	1470/1760 1770
TYPE	FRAME	POLES	PH	OUTPUT	VOLT	Hz	R P M
107/106 97	S1	F	マンセル N5	IP44	JIS C 4210		
A M P	RATING	INSUL	COLOR	PROTECTION	RULE		

D-END	6312ZZC3
N-END	6310ZZC3
BEARING	

CUSTOMER : _____ W. OD. _____ GAH3405B

VIA : _____ ORDER NO. _____

APPLICATION : _____ W. NO. _____ H 3405

	DATE	NAME	APPROVED		Fuji Electric Motor Co., Ltd.
DRAWN	2003-03-04	長谷川			(MLA1272)
CHECKED					YH592392c
				DWG. NO.	