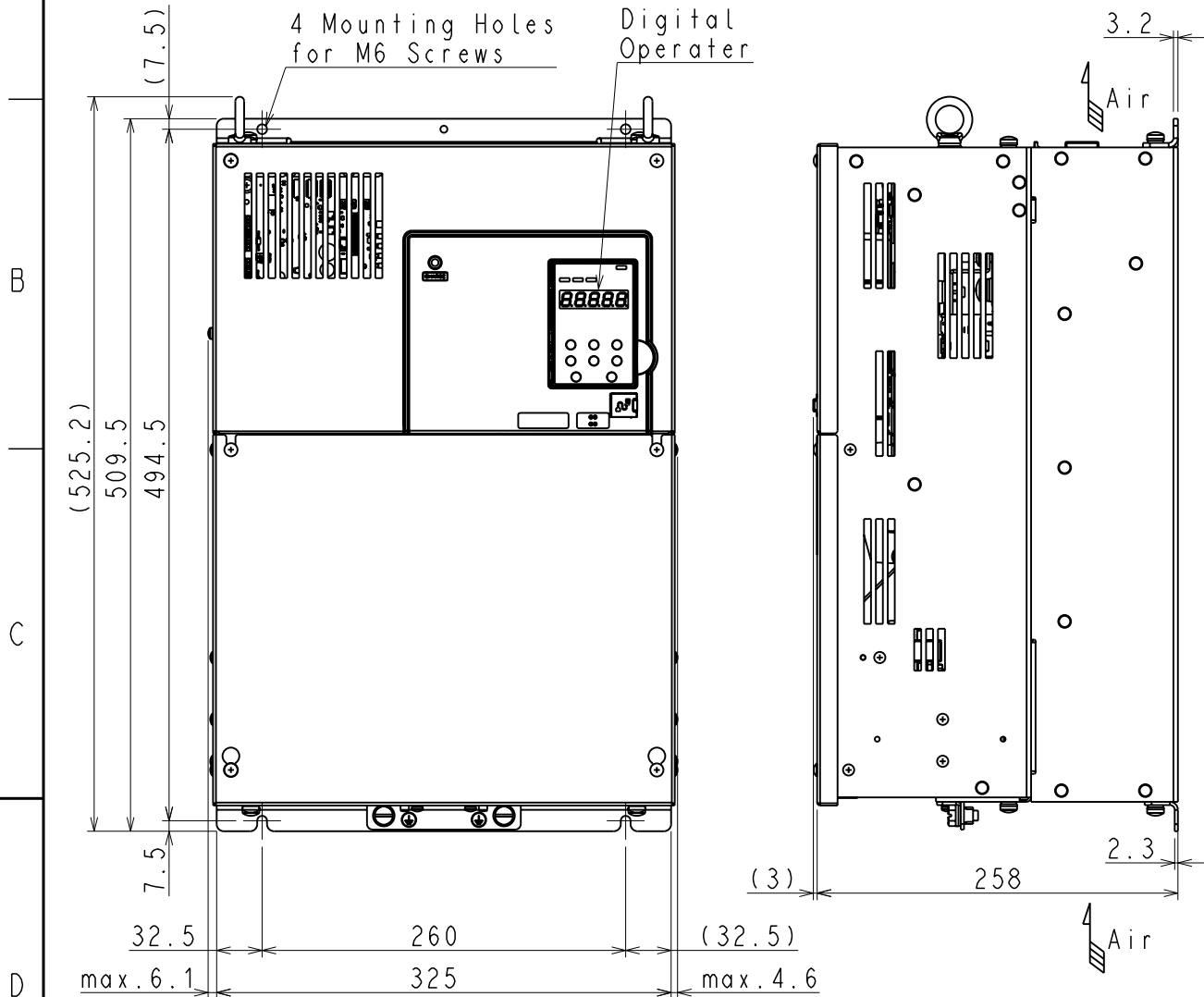


DWG.NO. EZZ901763-1/1

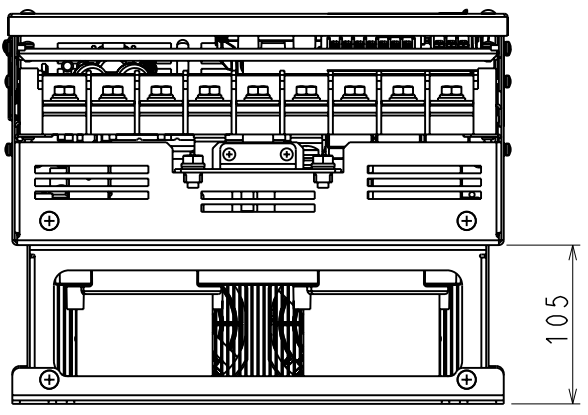
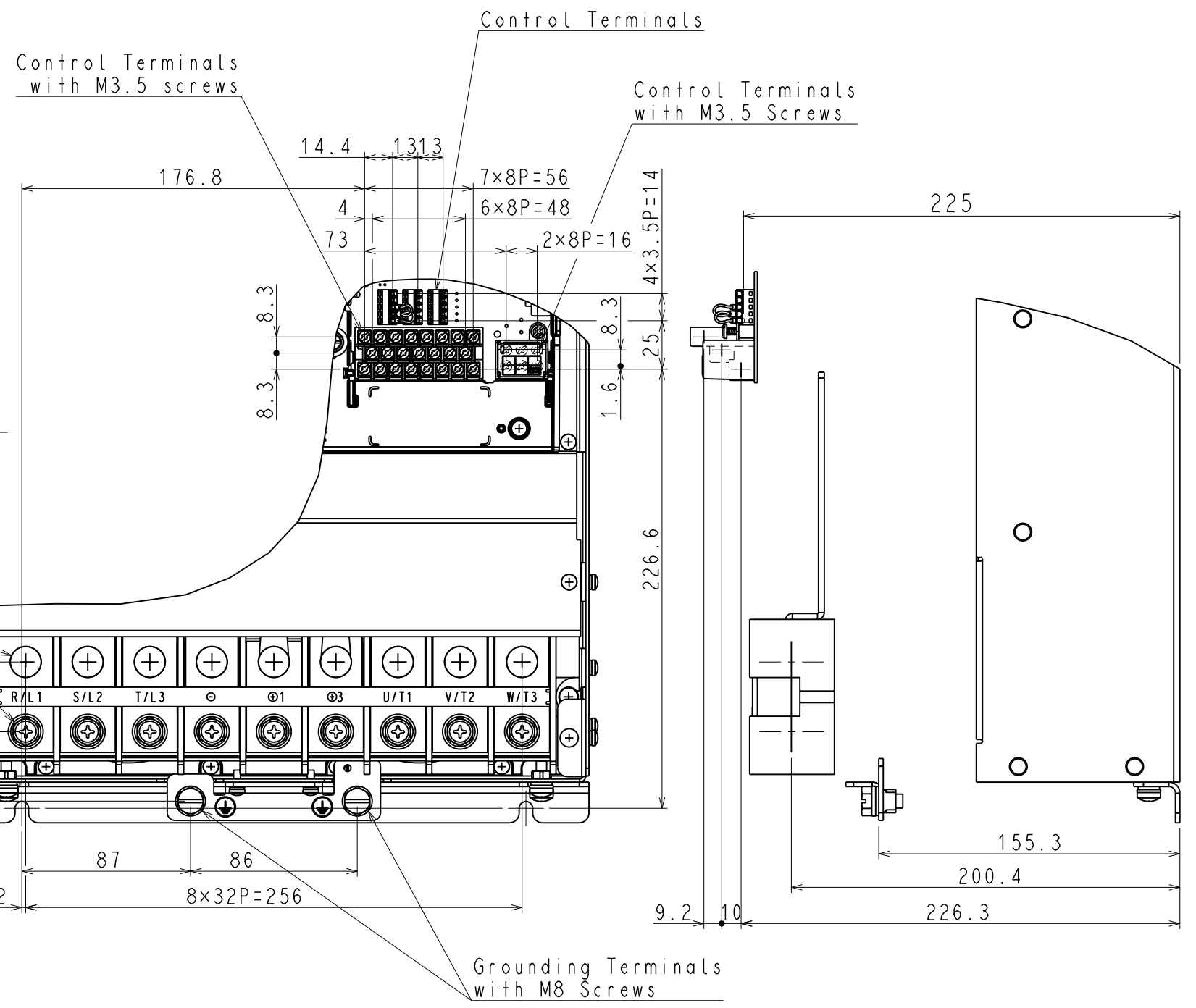
Model No.	Max Appli. Motor (kW)		Terminal Symbol			Cooling Fan	Mass (kg)			
	Normal Duty	Heavy Duty	INPUT OUTPUT(MOTOR)							
CIMR-A#4□0088A	45	37	R/L1	S/L2	T/L3	U/T1	V/T2	W/T3	2	36
CIMR-A#4□0103A	55	45							2	36

#: A to Z (except C, U, Z)
□: A to Z

Third Angle Projection
Dimensions in mm



Detail (without Front cover)
Scale 1:2√2



Scale 1:5

REVISIONS	Dec.17,2008	N.Koga		DRAW.	June.10.2008	A.Yoshimoto	TITLE A1000 OPEN CHASSIS TYPE DIMENSION DIAGRAM	DWG.NO. EZZ901763	1	REV.
				CHECK	June.10.2008	N.Mizutani			2	
				APPR.	June.10.2008	H.Okayama			1	